

INSTALLATION INSTRUCTIONS

BEFORE BEGINNING

- Please read all instructions carefully.
- Follow all safety precautions(see "SAFETY PRECAUTIONS").
- Familiarize yourself with all parts(see "CONTENTS") and check quantities.

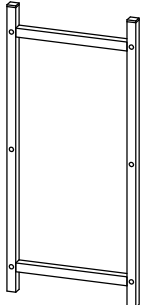
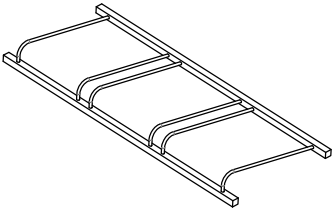
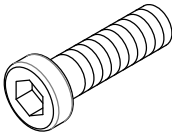
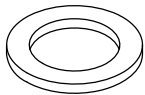

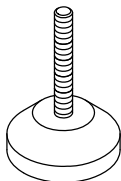
SAFETY PRECAUTIONS

Warning

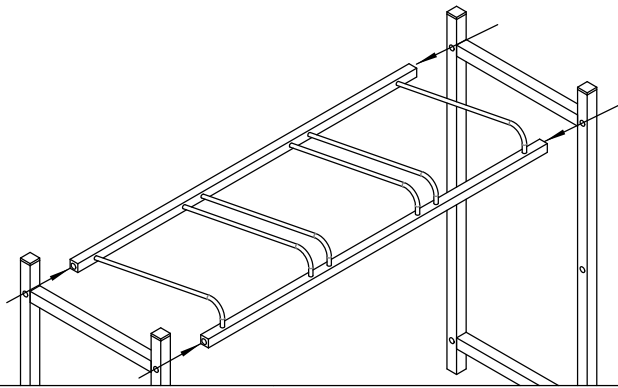
- This unit contains small parts which could be a choking hazard for small children. Children should always be under adult supervision or serious bodily injury could occur.
- Always unload the unit prior to moving the unit. The weight of personal belongings can cause the unit to become unstable and either tip or collapse. Serious bodily injury and/or damage to personal belongings may occur.
- Do not climb or step on the unit. The unit may become unstable and either tip or collapse. Serious bodily injury and/or damage to personal belongings may occur.
- Do not mount or attach anything to the sides, rear or front of the unit as this can create a force that can cause the unit to tip. Serious bodily injury and/or damage to personal belongings may occur.
- We recommend you protect your work surface during assembly to prevent scratching or damage to table tops, wood floors, etc.
- Please do not return product to the retail store. For product assistance and warranty information contact customer service through buyer message.

CONTENTS

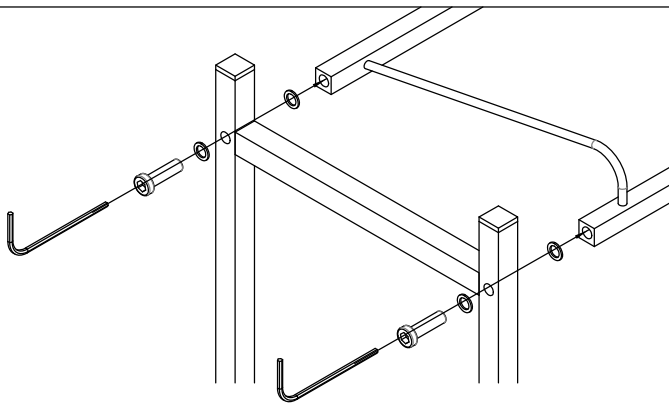
Package Included

① 	② 	③ 
Steel Arm x2	Steel Beam x3	Screw x12
④ 	⑤ 	⑥ 
Screw Gasket x24	L-Wrench x1	Rubber Foot x4

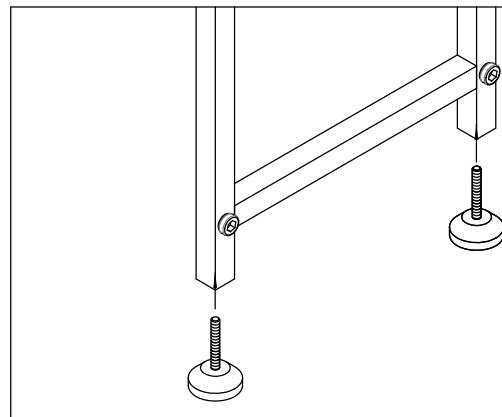
Steps



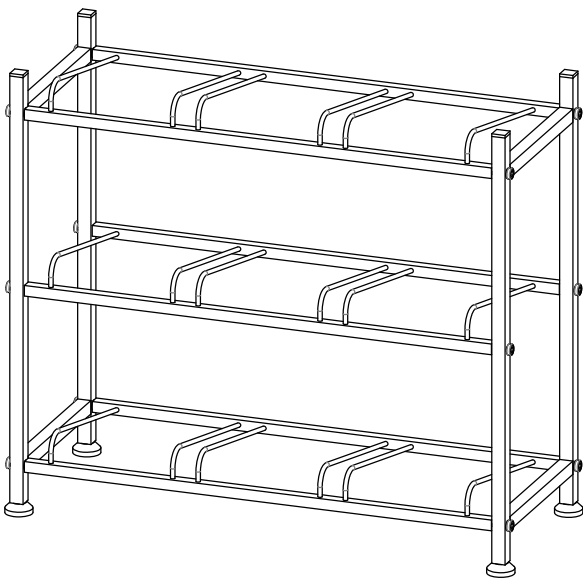
1. Put each Steel Beam② between two Steel Arms①. Align Steel Beam② with holes on the Steel Arm①.



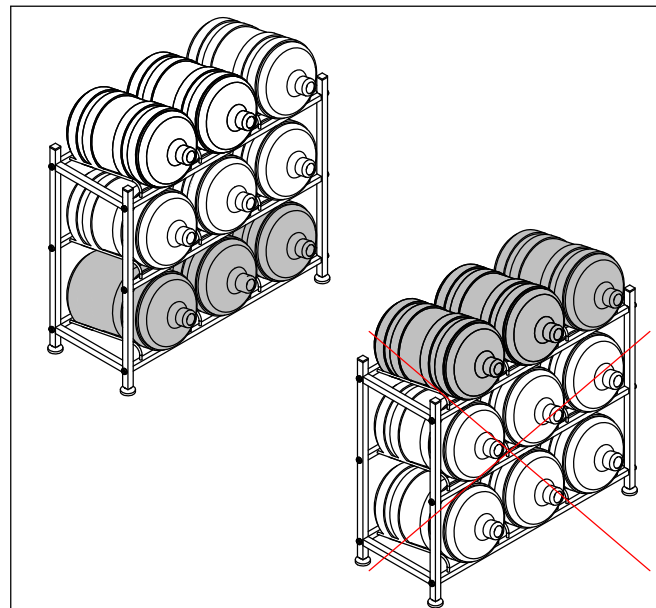
2. Place 2 Screw Gaskets④ on each side of the Steel Arm① between each Screw③. Use the L-Wrench⑤ to revolve the screw into holes of the Steel Beam② and the Steel Arm①.



3. Put the Water Jug Rack upright. Twist the screws of the Rubber Feet⑥ to the bottom of the Steel Arm①, but do not screw the Rubber Feet⑥ tight now.



4. Adjust the balance of the Water Jug Rack. Adjust the Rubber Feet⑥ until the Water Jug Rack is balanced, then fix the screws of the Rubber Feet⑥.



Note: Please put the full bottles on the bottom of the shelf and the empty bottles on the top for safety.